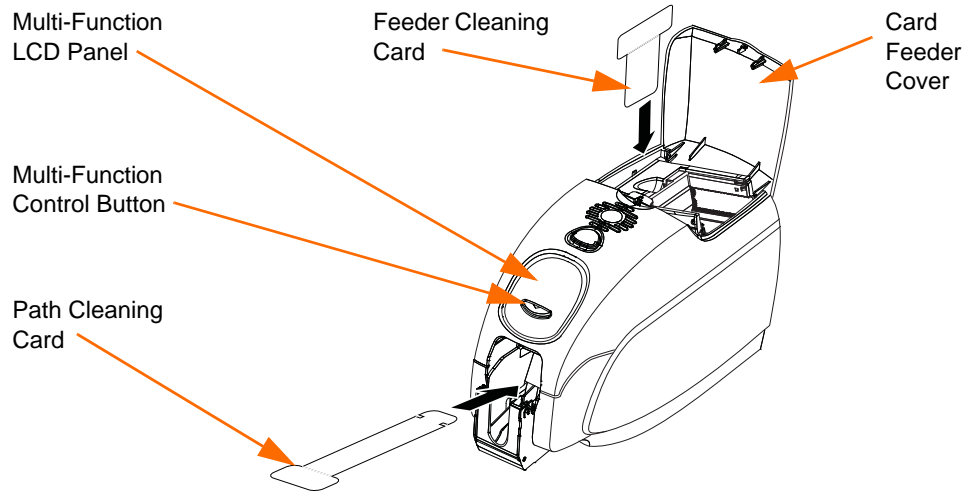


How to Clean

- Step 1.** Place the printer power switch in the ON (|) position, and then press and hold the Multi-Function Control Button for 5 seconds.
- Step 2.** When the cleaning cycle is initiated, the LCD message **REMOVE RIBBON THEN CLOSE LID** will display.



- Step 3.** After the ribbon is removed and the lid is closed, the message **EMPTY FEEDER THEN CLOSE COVER** will display.
- Step 4.** If the lid is opened and closed without removing the ribbon, the **REMOVE RIBBON THEN CLOSE LID** message will remain.
- Step 5.** Once the ribbon is removed and the cover is closed, the firmware will eject any card inside the printer. The message **EJECTING CARD** will display.
- Step 6.** The LCD will display **FEED LONG CLEANING CARD**. When the presence of the cleaning card is sensed, the rollers will take the card into the printer.
- Step 7.** When the cleaning process is done, the printer will eject the cleaning card. If the card sensor still senses the cleaning card, the message **REMOVE LONG CLEANING CARD** will display.
- Step 8.** Once the long cleaning card is no longer sensed by the card exit sensor, the message **INSERT FEEDER CLEANING CARD** will display. Open the feeder cover, and insert the feeder cleaning card.
- Step 9.** When the feeder cleaning card has been sensed by the feeder card sensor, the message **CLOSE FEEDER COVER** will display.
- Step 10.** When feeder cleaning is complete, the message **REMOVE FEEDER CLEANING CARD** will display.
- Step 11.** After the card is removed, the LCD will display **READY**. You may now reload the ribbon and cards and continue printing.

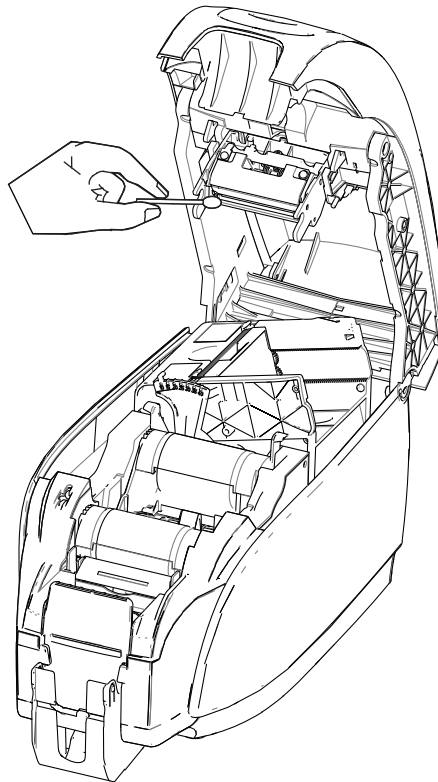
Cleaning the Printhead

Use of the cleaning cards will normally do an adequate job of cleaning the printer. However, a separate Printhead cleaning, using swabs, can remove more stubborn deposits when print anomalies persist. To avoid deposits, only use foam-tipped swabs.



Caution • Never use a sharp object to scrape deposits from the printhead. Permanent damage to the printhead will result

- Step 1.** Place the printer power switch in the OFF (O) position.
- Step 2.** Open the printer lid by pressing the cover release button, and open the cover fully to reveal the Printhead mounted on the inside of the cover.



- Step 3.** Clean the Printhead by moving an alcohol-moistened swab tip side-to-side across the Printhead elements. Only use moderate force.
- Step 4.** Allow two to three minutes for the printhead to dry before placing the printer power switch in the ON (I) position.
- Step 5.** To reorder swabs, refer to the Media List on the *Windows Drivers and User Documentation CD* supplied with this printer.